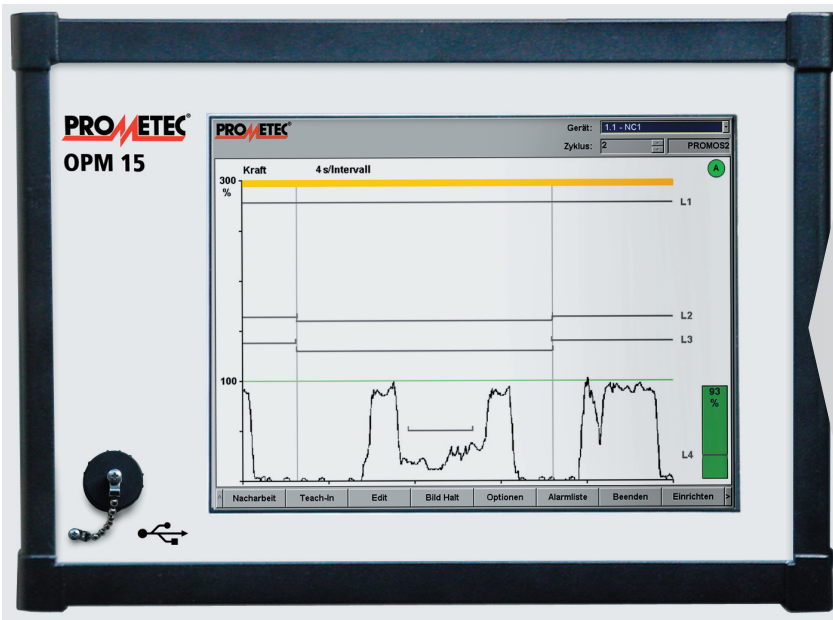


PROVIS Compact PC,  
touchscreen operated

# Operating Module OPM 15

with USB front connector

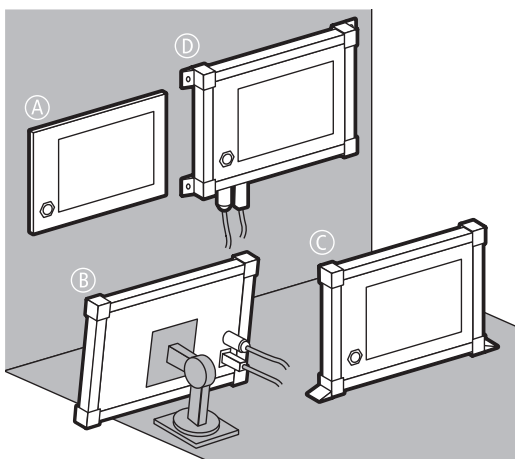


- powerful PC for operating the complete scope of monitoring software PROVIS
- suitable for industrial use, excellent value
- large, easy to read screen (10.4")
- touchscreen operated
- sturdy construction - no mechanical parts (like hard-disk or keys)

## Mounting variants

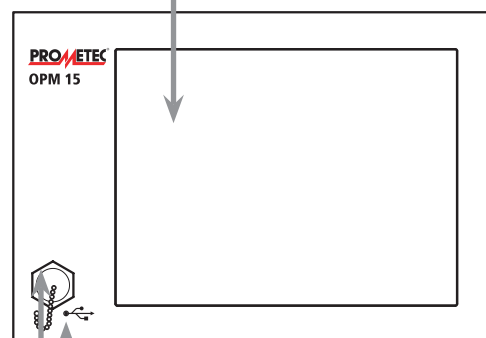
- Operating Module OPM 15 as Panel Mount unit (A) and
- Operating Module OPM 15 in Protection Box (B,C,D)
  - for installation of a VESA compatible monitor stand (B),
  - for floor/overhead mounting (C) or
  - for wall mounting (D).

Variant B: Keep in mind that the monitor stand has to be immovable in order to ensure easy touchscreen operation. There are two Protection Box variants which differ by their cabling options: see (B) and (D).



## Operation

Touchscreen for operation and setup. Context-sensitive keyboards will appear under PROVIS to speed-up letter or number inputs.  
**CAUTION: Operate only with fingers or a Touch-Pen - operating the touch screen with hard or sharp tools like screw drivers or switch cabinet keys is not allowed.**



- **USB 2 connector** for Service purposes as well as for connection of USB devices, like memory sticks, hard drives, as well as mouse or keyboard. Please recap the connector after use.

**Reset key** for restarting, should any problems occur, which cannot be dealt with by touchscreen operation. The key is hidden in a small hole within the USB symbol; use a paper clip or similar tool to operate the key.

**Connection**

Operating Module OPM 15 can be used with all RTM or RTCM of the PROMOS 2 or PROMOS 3 system.

**Part numbers**

Operating Module OPM 15 as **Panel Mount Unit**, includes all needed plugs

Part No. **0.OP.15G.M**

Operating Module OPM 15 in **Protection Box - sockets in back plate**), includes different mounting brackets, all needed plugs

Part No. **0.OP.15G.MPB**

Operating Module OPM 15 in **Protection Box - sockets on base**, includes different mounting brackets, all needed plugs

Part No. **0.OP.15G.MPB**

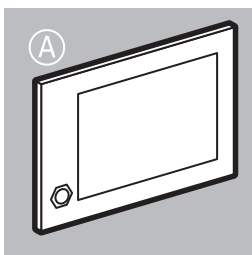
*fits Operating Modules OPM 15 in Protection Box: bracket, VESA 100 standard with 2D joint for tilting and rotating of Operating Modules*

Part No. **0.PB.BRA.VESA100**

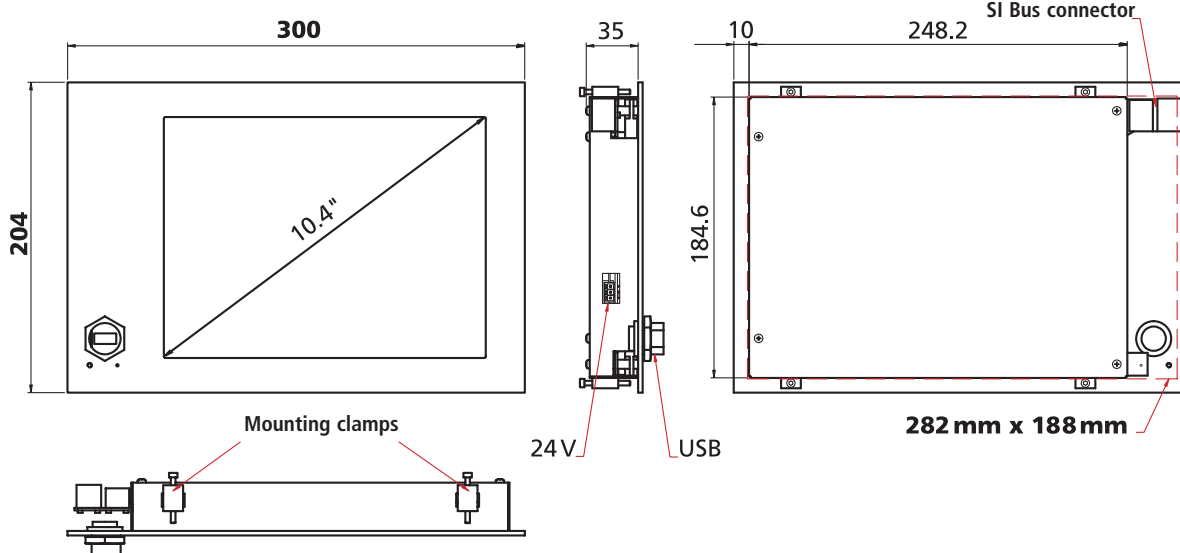
**Power connections**

(Hirschmann plug, 3 pole + PE)

Pin	connection
1	+24 V DC
2	(GND) DC
3	NC
⏏	PE / Earth



**Measurements of Operating Module OPM 15, as Panel Mount unit**  
(all measurements in mm)



**SI Bus**

(RJ45-Stecker, for on-site assembly, Installation sheet is provided with plug)

Pin	connection
1	CAN-H
2	CAN-L
3	CAN-Gnd

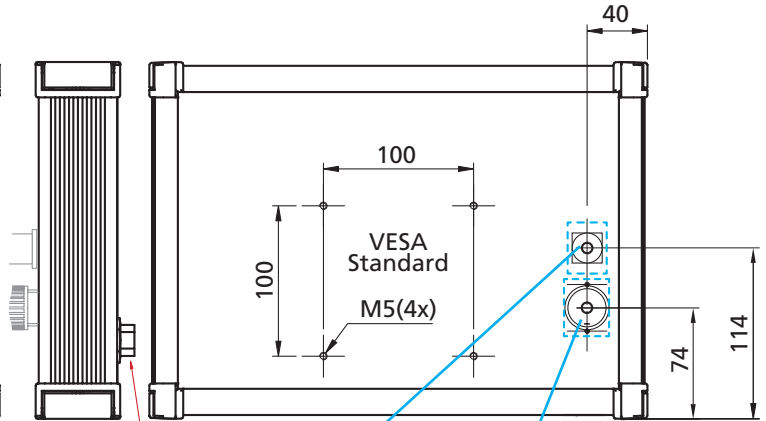
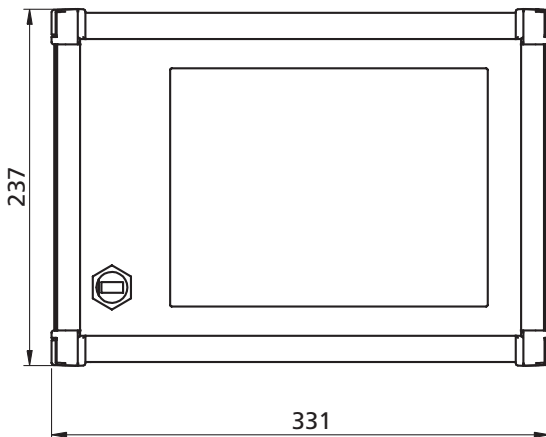
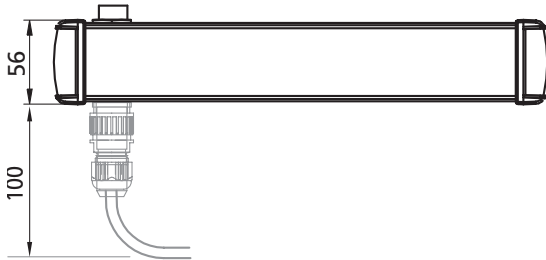
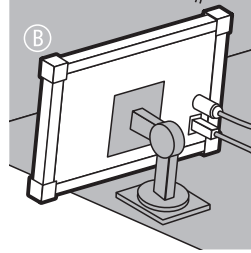
**Technical data**

Screen size/resolution	10.4" (26.4 cm) TFT, VGA
Operating elements	Touchscreen, connection of mouse and keyboard possible
Interfaces	PROMETEC SI Bus USB for keyboard, printer, etc.
Operating system	Windows CE®, pre-installed
Power supply	24V DC ±20%, 600 mA max.
Protection class panel variant	front IP 54, reverse side IP 20
Protection class box variant	IP 54
Temperature range	Operation 0...50°C Storage/transport -20...60°C
Lamp life cycle	50,000 hours (continuous duty))

**Installation of Operating Module OPM 15, panel mounted variant**

- ① Make a rectangular opening on the desired area, 282 mm wide and 188 mm high.
- ② After the Operating Module was put into the recess from the front side, put the four yellow mounting clamps into the corresponding recesses on OPM 15. Rotate the clamps so that their screws show directly towards the front plate.
- ③ Then gently tighten the mounting clamp's screws until OPM 15 is fixed correctly in its recess.

**Measurements of Operating Module OPM 15,  
Protection Box variant,  
sockets on back plate**  
(see illustration B as an example; all measurements in mm)

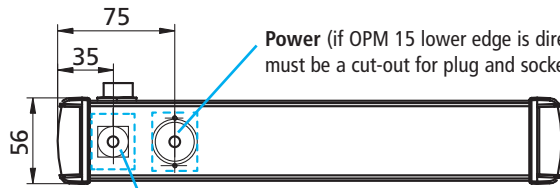


**USB**

**SI-Bus connector**  
(if OPM 15 backplate is mounted on flat surface, there must be a cut-out for plug and socket of min. 30 x 40 mm)

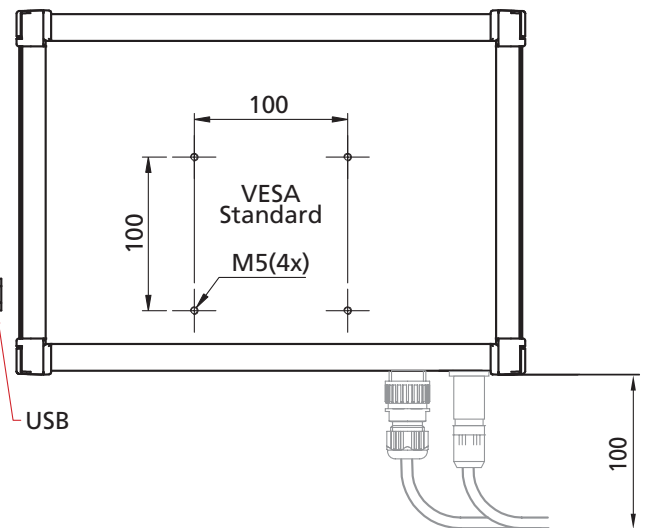
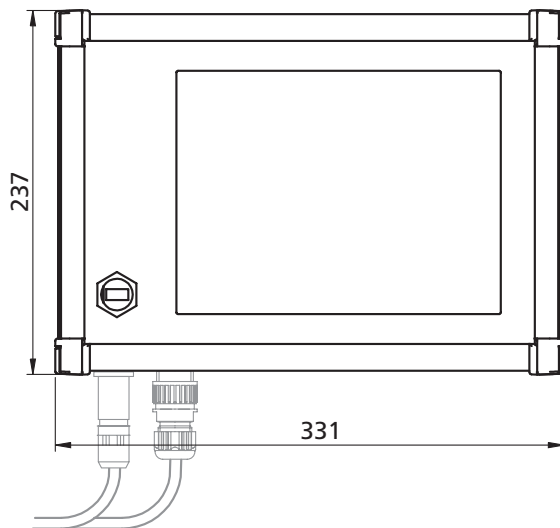
**Power**  
(if OPM 15 backplate is mounted on flat surface, there must be a cut-out for plug and socket of min. 32 x 40 mm)

**Measurements of Operating Module OPM 15,  
Protection Box variant,  
sockets on base**  
(all measurements in mm)

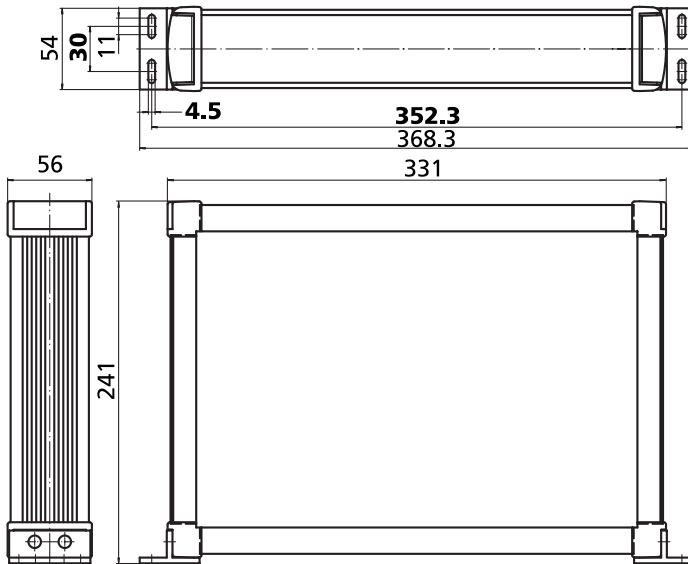
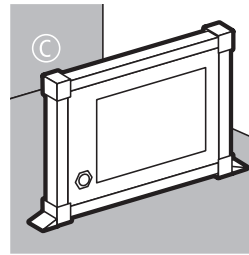


**SI-Bus connector** (if OPM 15 lower edge is directly on flat surface, there must be a cut-out for plug and socket of min. 30 x 40 mm)

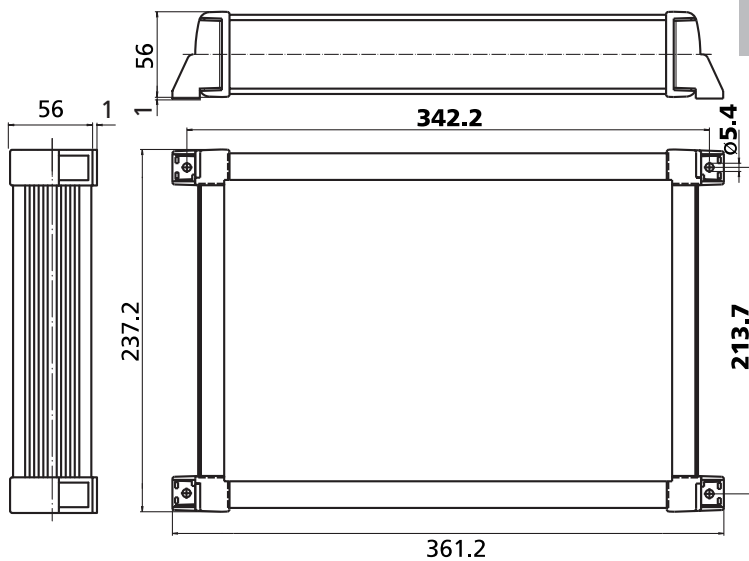
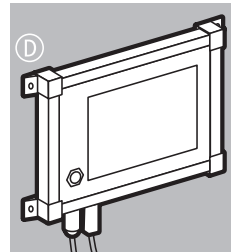
**Power** (if OPM 15 lower edge is directly on flat surface, there must be a cut-out for plug and socket of min. 32 x 40 mm)



Measurements of Operating Module OPM 15,  
Protection Box variant  
if brackets for floor mounting are used  
sockets on back plate or base (see drawings on page 3)  
(see illustration C as an example; all measurements in mm)



Measurements of Operating Module OPM 15,  
Protection Box variant  
if brackets for wall mounting are used  
sockets on back plate or base (see drawings on page 3)  
(see illustration D as an example; all measurements in mm)



Subject to technical modifications  
©2014 PROMETEC

Monitoring of Machines, Processes, Tools and Lasers  
Subsidiary companies and representations in Europe, South-America and Asia  
[www.prometec.com](http://www.prometec.com)

PDA.OPM15.1407.GB

Germany (Headquarters)

PROMETEC GmbH

Jülicher Str. 338  
52070 Aachen

Phone: +49 241 16609-0  
Fax: +49 241 16609-50  
[prometec-de@prometec.com](mailto:prometec-de@prometec.com)

USA

PROMETEC Inc.

47711 Clipper Street  
Suite 200  
Plymouth, MI 48170

Phone: +1 (734) 455 0100  
Fax: +1 (734) 451 4654  
[prometec-us@prometec.com](mailto:prometec-us@prometec.com)

England

PROMETEC Ltd.

41 Church Street  
Birmingham West Midlands  
B3 2RT

Phone: +44 7971 475134  
[prometec-uk@prometec.com](mailto:prometec-uk@prometec.com)

Italy

PROMETEC S.r.l.

Viale Ticino, 54  
21026 Gavirate (VA)

Phone: +39 0332-1950049  
Fax: +39 0332-744952  
[prometec-it@prometec.com](mailto:prometec-it@prometec.com)

Eastern Europe

PROMETEC Bratislava

Šustekova 12  
SK 851 04 Bratislava  
Slovakia

Phone: +42 1263 531211  
Fax: +42 1263 531212  
[prometec-sk@prometec.com](mailto:prometec-sk@prometec.com)

India

PROMETEC GmbH India

Branch Office  
#1066, 15th Cross, 25th Main  
Banashankari-2nd stage  
Bangalore-560 070

Phone: +91 (0)80 2671 2220  
Fax: +91 (0)80 2671 2199  
[prometec-in@prometec.com](mailto:prometec-in@prometec.com)

Korea

PROMETEC GmbH Korea

Branch Office  
#C-607, SK-Technopark  
60 Haan-ro  
Gyeonggi-do

Gwangmyeong-si, 423-795  
South Korea  
[prometec-ko@prometec.com](mailto:prometec-ko@prometec.com)