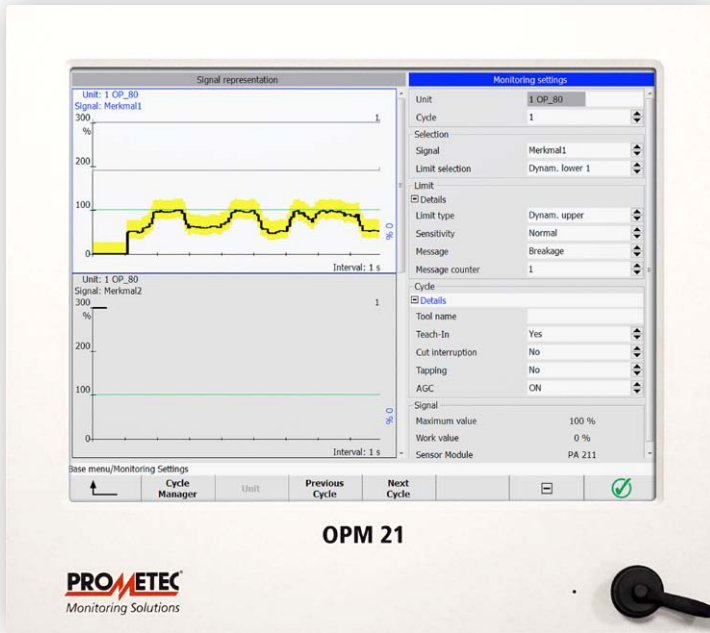


PROVIS Compact PC,
touchscreen operated
Operating Module OPM 21
with USB front connector



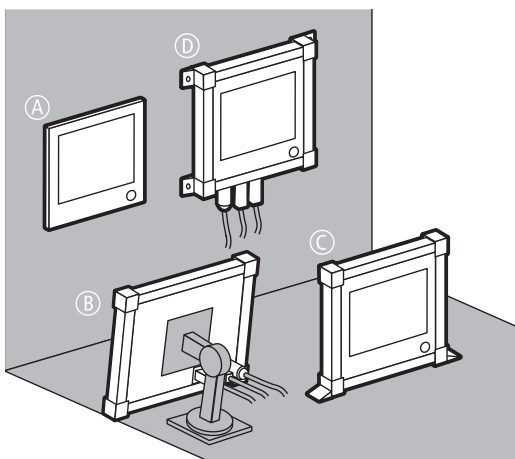
- powerful PC for operating the complete scope of our monitoring software (e.g. PROVIS)
- also runs customer-specific software
- suitable for industrial use, excellent value
- large, easy to read touchscreen (12.1")
- sturdy construction – no mechanical parts (like harddisk or keys)

Mounting variants

- Operating Module OPM 21 as Panel Mount unit (A) and
- Operating Module OPM 21 in Protection Box (B,C,D)
 - for installation of a VESA compatible monitor stand (B),
 - for floor/overhead mounting (C) or
 - for wall mounting (D).

Variant B: Keep in mind that the monitor stand has to be immovable in order to ensure trouble-free touchscreen operation.

There are two Protection Box variants which differ by their cabling options: see (B) and (D).

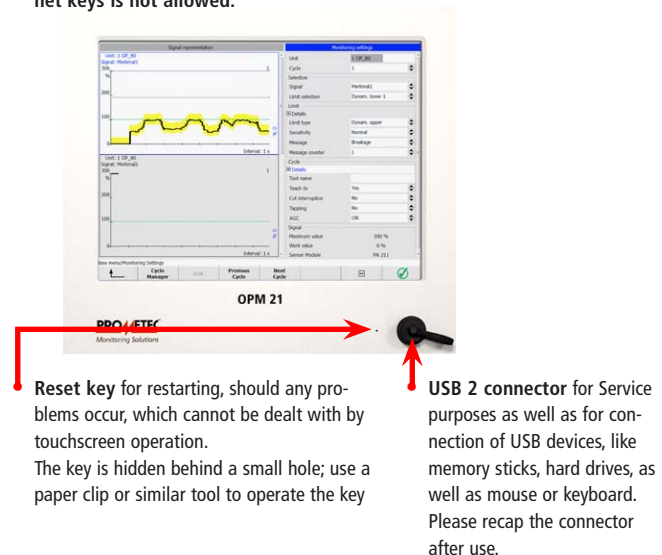


Note: software startup

If more than one software application by PROMETEC was pre-installed on your OPM 21 (e.g. PROVIS), you may let the desired application start automatically by dragging its icon (found on the desktop) to the Autostart directory.

Operation

- **Touchscreen** for operation and setup. Context-sensitive keyboards will appear under PROVIS to speed-up letter or number inputs. **CAUTION:** Operate only with fingers or a Touch-Pen - operating the touch screen with hard or sharp tools like screw drivers or switch cabinet keys is not allowed.

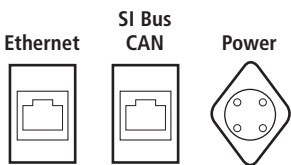


Part numbers

Operating Module OPM 21 as **Panel Mount Unit**, includes all needed plugs, Part No. 0.OP.21G.M

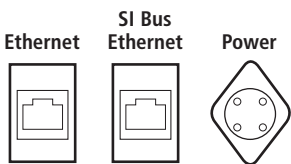
Operating Module OPM 21 in **Protection Box - sockets in back plate**, includes different mounting brackets, all needed plugs

Variant SI-Bus CAN Part No. 0.OP.21G.MPBKAN



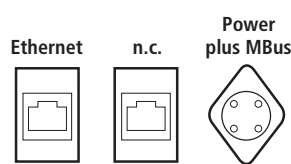
Connections of variant **SI-Bus CAN**, for details refer to column on the right

Variant SI-Bus Ethernet Part No. 0.OP.21G.MPBETH



Connections of variant **SI-Bus Ethernet**, for details refer to column on the right

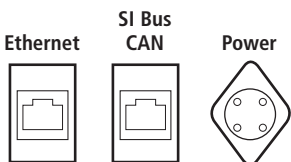
Variant MBus Part No. 0.OP.21G.MPB485



Connections of variant **MBus**, for details refer to column on the right

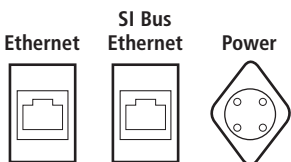
Operating Module OPM 21 in **Protection Box - sockets on base**, includes different mounting brackets, all needed plugs

Variant SI-Bus CAN Part No. 0.OP.21G.MPBBCAN



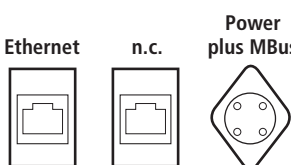
Connections of variant **SI-Bus CAN**, for details refer to column on the right

Variant SI-Bus Ethernet Part No. 0.OP.21G.MPBBETH



Connections of variant **SI-Bus Ethernet**, for details refer to column on the right

Variant MBus Part No. 0.OP.21G.MPBB485



Connections of variant **MBus**, for details refer to column on the right

suitable for all Operating Modules OPM 21 in Protection Box: VESA 75 standard with 3D joint for tilting and rotating of Operating Modules
Part No. Z.AN.DER.000106

Technical data

Screen size	12.1" (30.7 cm) TFT
Operating elements	Touchscreen, connection of mouse and keyboard optional
Interfaces	PROMETEC SI Bus, Ethernet, USB for keyboard, printer etc.
Operating system	Windows®7 embedded , pre-installed
Power supply	12...26V DC ±20% , 1000 mA max.
Protection class (panel variant)	front IP 54, reverse side IP 20
Protection class (box variant)	IP 54
Temperature range	Operation 0...40°C [32...104°F] Storage/transport -20...40°C [-4...104°F]

Connection

Operating Module OPM 21 can – depending on its version – be used with all hardware systems of PROMOS, PROMOS 2, or PROMOS 3. The connections are as follows:

Ethernet

Gbit Ethernet standard pin assignment

SI Bus CAN

(RJ45 connector, field assembly, assembly instructions are attached)

Pin	Connection
1	CAN-H
2	CAN-L
3	CAN-Gnd

SI Bus Ethernet

100 MBit Ethernet standard pin assignment

Power

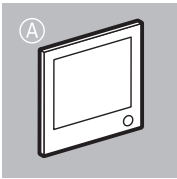
(Hirschmann connector, 4-pole)

Pin	Connection
1	+24 V DC
2	(GND) DC
3	NC
⊥	NC

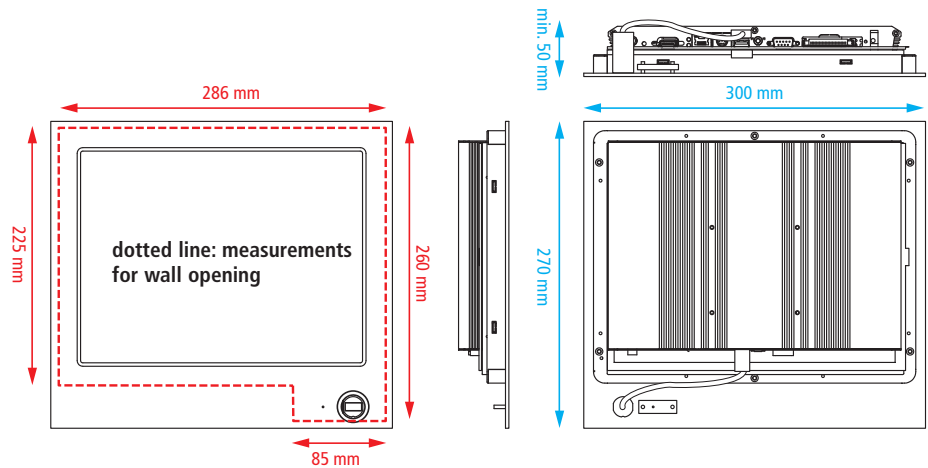
Power plus MBus

(Hirschmann connector, 4-pole)

Pin	Connection
1	+24 V DC
2	(GND) DC
3	MBus, M5
⊥	MBus, M6

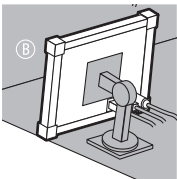


Measurements of Operating Module OPM 21 as panel mounted unit
(all measurements in mm)



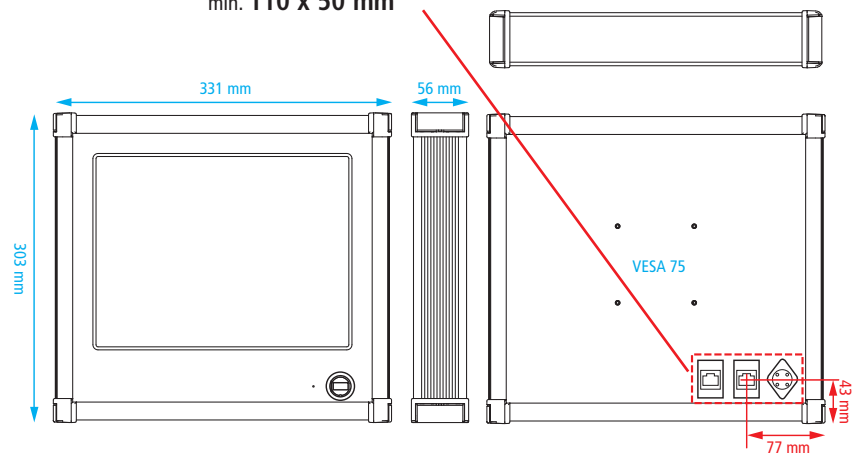
Installation of Operating Module OPM 21, panel mounted variant

- ① Make an opening on the desired area, see diagram.
- ② After the Operating Module was put into the recess from the front side, put the seven black mounting clamps into the corresponding recesses on OPM 21. The clamps' screws have to point directly towards the front plate
- ③ Then gently tighten the mounting clamp's screws until OPM 21 is fixed correctly in its recess.



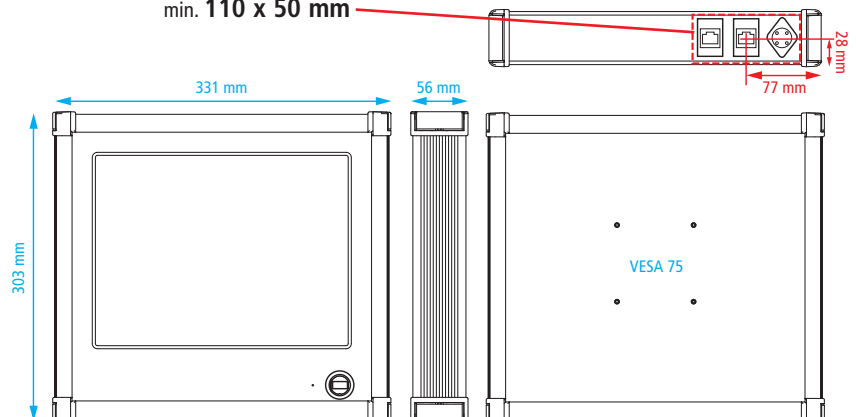
Measurements of Operating Module OPM 21, Protection Box variant, sockets on back plate
(see illustration B as an example; all measurements in mm)

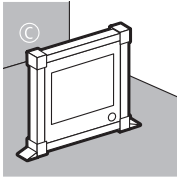
If the backplate of OPM 21 is mounted on a flat surface, there must be a cut-out for plug and socket:
min. 110 x 50 mm



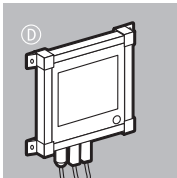
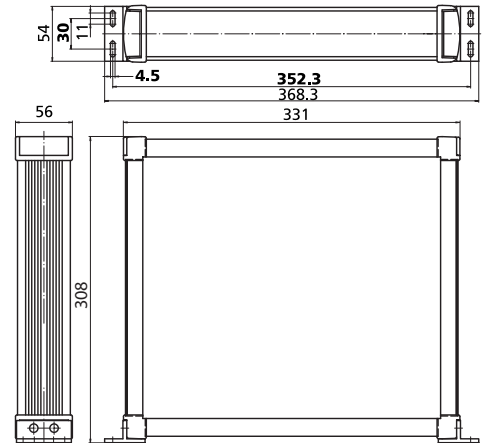
Measurements of Operating Module OPM 21, Protection Box variant, sockets on base
(all measurements in mm)

If lower edge of OPM 21 is mounted on a flat surface, there must be a cut-out for plug and socket:
min. 110 x 50 mm





Measurements of Operating Module OPM 21,
Protection Box variant
if brackets for floor mounting are used
sockets on back plate or base (see drawings on page 3)
(see illustration C as an example; all measurements in mm)



Measurements of Operating Module OPM 21,
Protection Box variant
if brackets for wall mounting are used
sockets on back plate or base (see drawings on page 3)
(see illustration D as an example; all measurements in mm)

